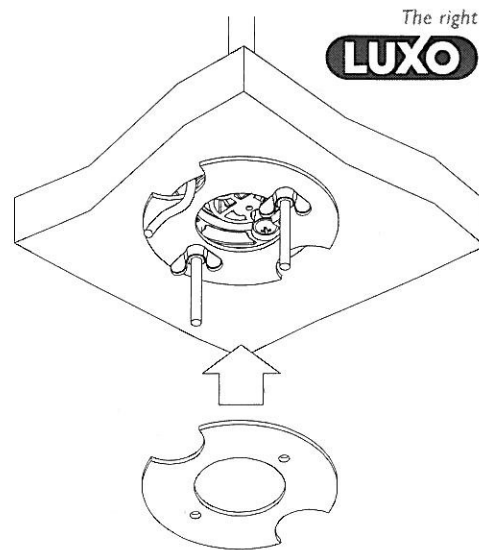


3. Pull the cable through the hole in the table top and make sure it sits in the slot on the side of the integrated table mount.

Art.nr. 05-900-527-00. BRU-303-0067 rev. A.



4. Fix the integrated table mount using the supplied lock disc and wing nuts.