

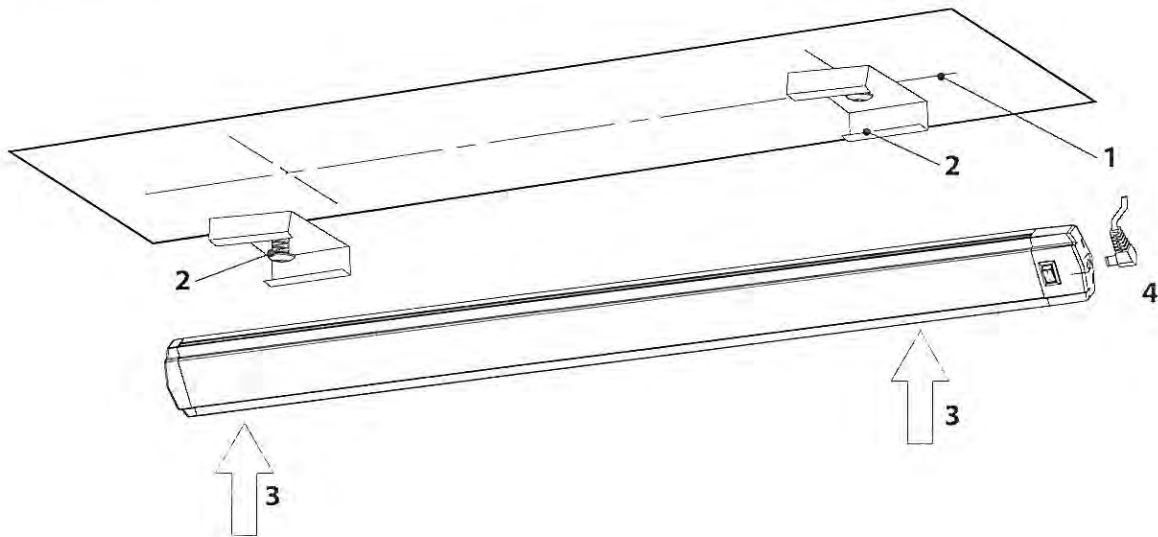
Spire Installation Instructions

Caution:

- Always turn off power prior to installation or replacement.
- Do not press directly on to the top plastic cover as it may cause damage.
- Power loading must not exceed the maximum listed output of the transformer.
- Do not dim.
- Do not cover the product with material. Maintain 1/4" min. free air around fixture to assure proper cooling.
- For indoor use only-IP20.

Technical Information:

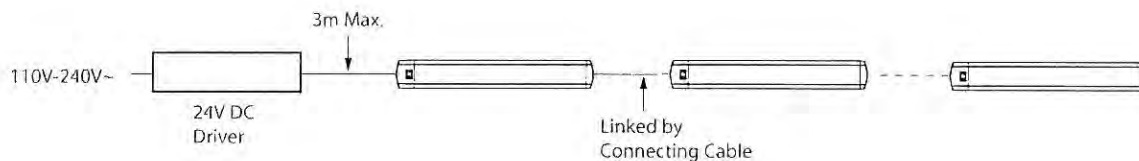
- Input Voltage: 24V DC
- Power: 6.5W per foot



1. Mark on mounting surface to align the mounting bracket.
2. Remove mounting bracket from body of LED fixture.
3. Place double-sided mounting tape on mounting brackets.
4. Secure mounting brackets on mounting surface with double-sided mounting tape.
5. Use provided wood screws or metal screws to permanently attach LED fixture to undercabinet surface.
6. Gently push the body of the LED fixture into the mounting brackets with evenly distributed force.
7. Plug in power jack to switch side of main body. Input voltage 24V DC.

**** Failure to use a method of permanent attachment by metal or wood screws may void warranty. Permanent attachment includes the metal screws, wood screws or magnet mount provided. NOTE: Double-sided mounting tape should only be used in conjunction with these permanent attachments.**

Daisy-Chain



Length	Wattage/unit	Max. units per run on 60W driver
24"	13W	3